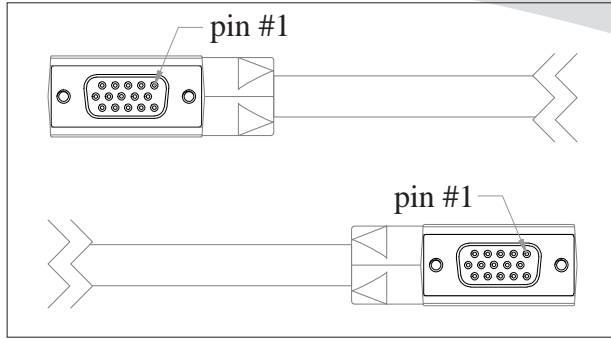
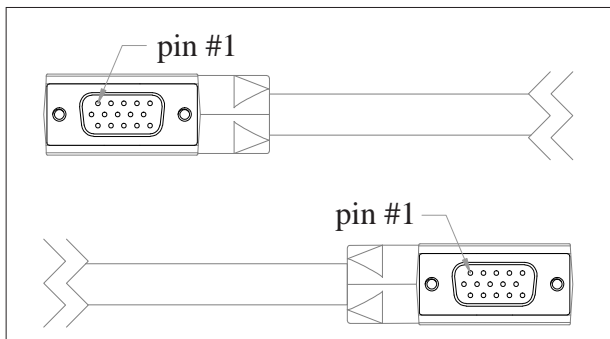


VGA HD15



Female



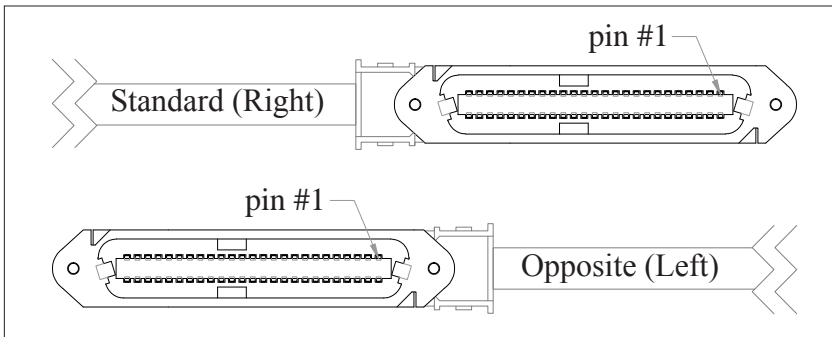
Male

Pin-Outs

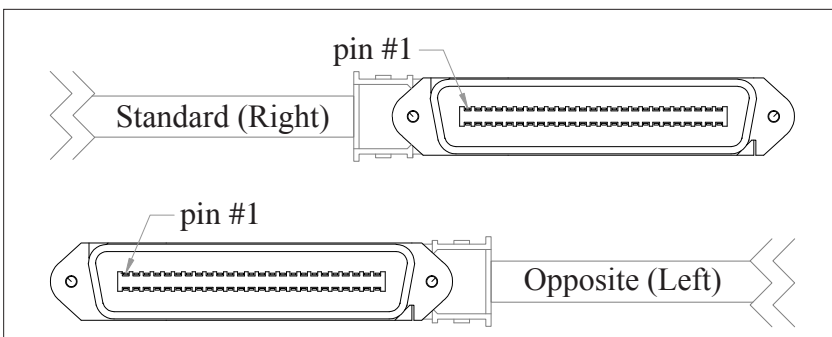
PIN	SIGNAL	CONDUCTOR
1	RED	RED
6	RED GROUND	COAX
2	GREEN	GREEN
7	GREEN GROUND	COAX
3	BLUE	BLUE
8	BLUE GROUND	COAX
13	HORIZONTAL	WHITE
10	GROUND	COAX
14	VERTICAL	BLACK
5	GROUND	COAX

Telcos

Female



Male



RJ21X Pin-Outs

BLUE	WHITE	1
ORANGE	WHITE	2
GREEN	WHITE	3
BROWN	WHITE	4
SLATE	WHITE	5
BLUE	RED	6
ORANGE	RED	7
GREEN	RED	8
BROWN	RED	9
SLATE	RED	10
BLUE	BLACK	11
ORANGE	BLACK	12
GREEN	BLACK	13
BROWN	BLACK	14
SLATE	BLACK	15
BLUE	YELLOW	16
ORANGE	YELLOW	17
GREEN	YELLOW	18
BROWN	YELLOW	19
SLATE	YELLOW	20
BLUE	VIOLET	21
ORANGE	VIOLET	22
GREEN	VIOLET	23
BROWN	VIOLET	24
SLATE	VIOLET	25

26	WHITE	BLUE
27	WHITE	ORANGE
28	WHITE	GREEN
29	WHITE	BROWN
30	WHITE	SLATE
31	RED	BLUE
32	RED	ORANGE
33	RED	GREEN
34	RED	BROWN
35	RED	SLATE
36	BLACK	BLUE
37	BLACK	ORANGE
38	BLACK	GREEN
39	BLACK	BROWN
40	BLACK	SLATE
41	YELLOW	BLUE
42	YELLOW	ORANGE
43	YELLOW	GREEN
44	YELLOW	BROWN
45	YELLOW	SLATE
46	VIOLET	BLUE
47	VIOLET	ORANGE
48	VIOLET	GREEN
49	VIOLET	BROWN
50	VIOLET	SLATE

AMP Pin-Out Available.